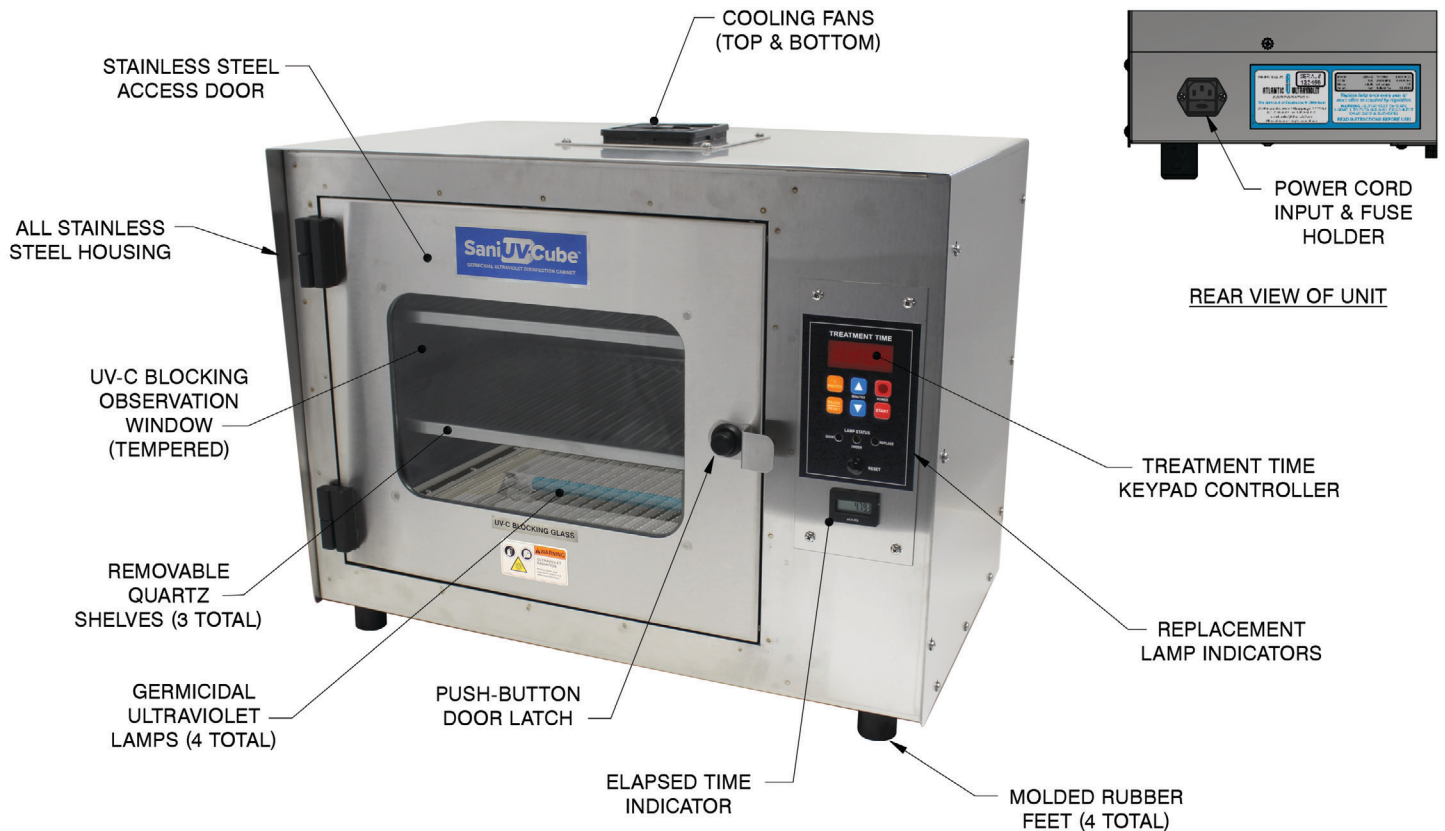


SaniUVcube™

Pass-Thru Version in Development
Custom Sizes Available – Contact Us

GERMICIDAL ULTRAVIOLET DISINFECTION CABINET



Features:

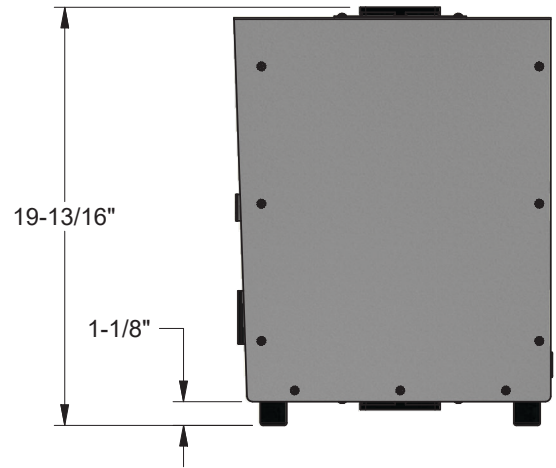
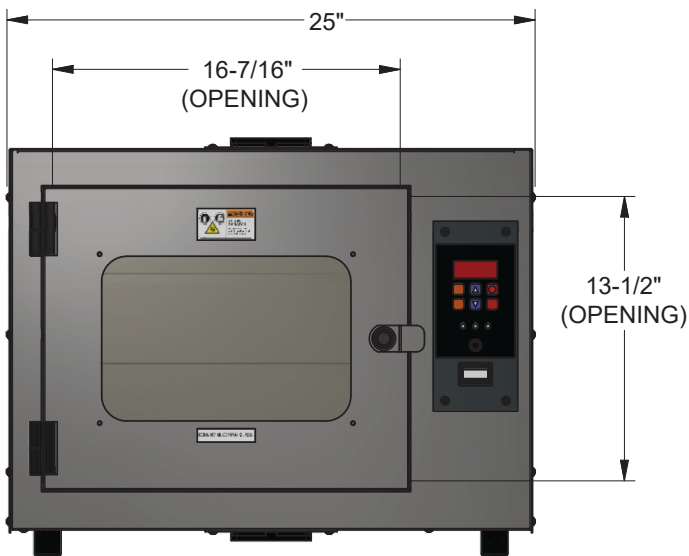
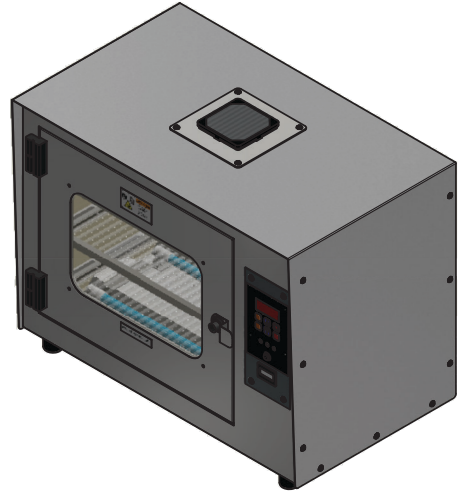
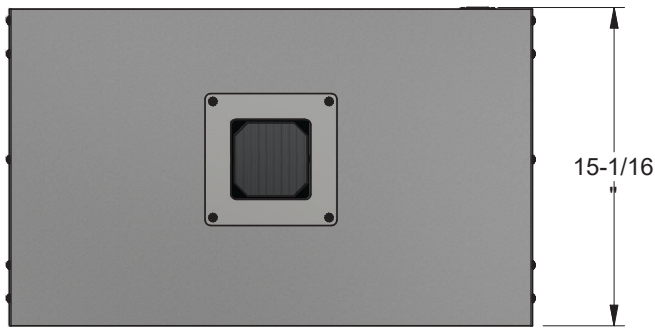
- **Type 304 Stainless Steel Cabinet:** Provides strength, durability, and lasting value.
- **Access Door:** Made from stainless steel and a tempered glass window, providing inspection while blocking UV-C exposure.
- **Unique Removable Quartz Shelves:** Quartz rods mounted within a stainless-steel frame ensure UV-C energy reaches all items.
- **4 STER-L-RAY® Germicidal UV Lamps:** Deliver UV-C energy which is highly effective against viruses, bacteria, and mold spores.
- **Surelite™ Electronic Ballasts:** Operate the **STER-L-RAY®** Germicidal Ultraviolet Lamps at peak output performance.
- **Elapsed Time Indicator:** A non-resettable display of operating hours for scheduling, maintenance, and lamp replacement.
- **Interlock Safety Switch:** Tamper-proof switch interrupts power to the lamps when the door has been opened.
- **Treatment Time Keypad Controller:** Provides easy operation while displaying and counting down remaining treatment time.
- **Lamp Replacement Indicators:** Indicate when lamps are good, need replacement soon, or should be replaced immediately.
- **Molded Rubber Feet:** Ensure firm non-skid support and protection of surfaces while reducing noise transfer.
- **Cooling Fans:** Bottom intake and top exhaust fan cool unit to ensure proper lamp temperature is maintained during operation.
- **Power Cord / Fuse Holder:** A standard NEMA 5-15, three-prong plug which operates on 120v AC 50/60Hz single-phase standard household current. Protected by a replaceable 5 amp, fast-acting fuse.



375 Marcus Boulevard, Hauppauge, NY 11788
(631) 273-0500 • Fax: (631) 273-0771 • Email: Sales@AtlanticUV.com
Shop: AtlanticUltraviolet.com • Learn More: Ultraviolet.com
Document Number 98-1872 • May 2023 • ©2023 Atlantic Ultraviolet Corporation®



SPECIFICATIONS



Pass-Through Version in Development. Custom Sizes Available – Contact Us.



375 Marcus Boulevard, Hauppauge, NY 11788
(631) 273-0500 • Fax: (631) 273-0771 • Email: Sales@AtlanticUV.com
Shop: AtlanticUltraviolet.com • Learn More: Ultraviolet.com
Document Number 98-1872 • May 2023 • ©2023 Atlantic Ultraviolet Corporation®

